



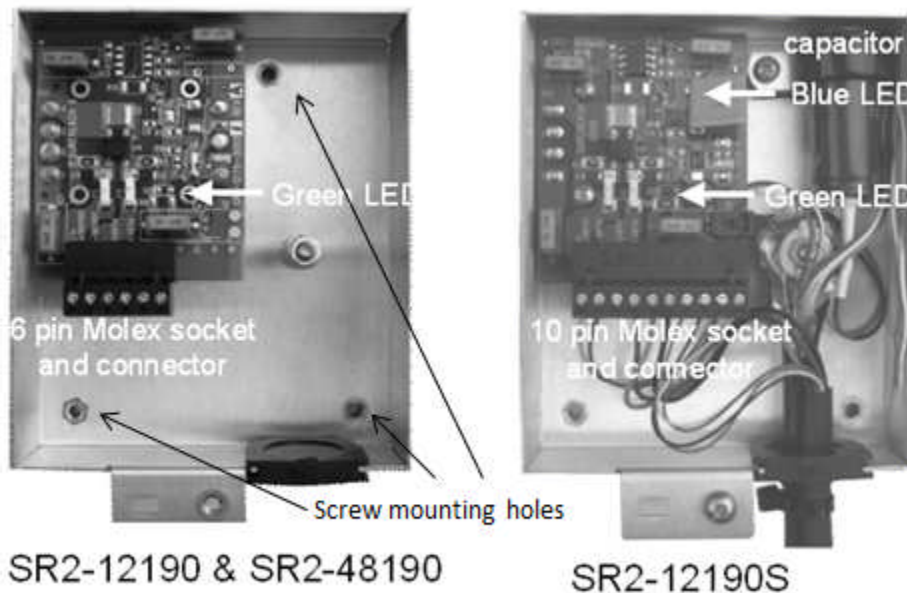
SureReach 2000 Quick Install Guide – For SR2 12190 (12VDC) and SR2 48190 (48VDC) and SR2 12190S (12VDC w/switching)

Customer Service Contacts - For further information about the *SureReach* field unit visit the Generonix Web site at <http://www.generonix.com> or call 1-866-464-4693 or refer to the SureReach Installation Manual.

Operation - Power for the *SureReach* field unit is provided over standard 19-26 gauge copper cable pairs found in the telephone outside plant network. A central office power unit converts normal -48 VDC central office voltage to a higher voltage for transmission (no more than ± 190 VDC) for delivery to the *SureReach* field unit. Local power for the switch-able SureReach is provided via a 12VDC power supply that plugs into a standard AC outlet.

CAUTION: Hazardous energy and voltages are present in the unit and on the interface cables that can shock or cause serious injury. Follow all safety warnings and practices when servicing this equipment. Do not connect the central office power unit to the cable pairs that will power the SureReach field unit until all input and output connections are complete and secure, and the unit is properly grounded.

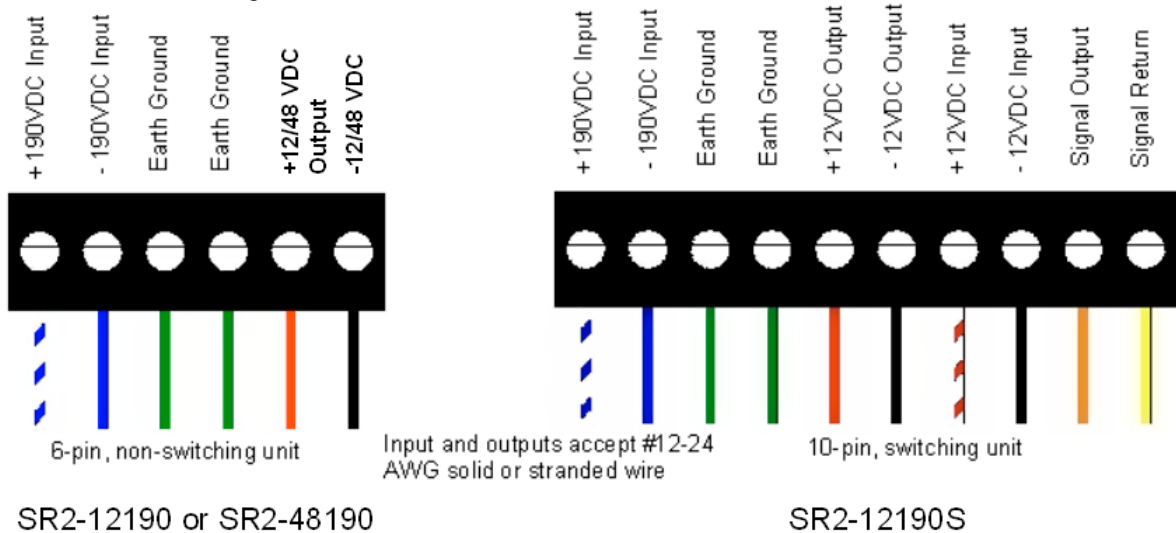
Installation – SureRach contains an integrated protection circuit. No external station protection is required or recommended. Attach the *SureReach* field unit using #8 x 1 1/2” pan head screws with RTV sealing compound under the head using the three mounting holes that go throught the stand-offs. The *SureReach* field unit is designed to accept a variety of wire types to connect to the outside plant network. Outdoor Cat3 wire or two pair drop wire may be used (see ONT vendor installation requirements). A gauge of twenty-four or lower is recommended to connect the *SureReach* field unit to the outside plant network. Install the capacitor using the clamp provided. Plug into the circuit board as shown below.



Making the Input/Output Connections - Connections to the *SureReach* field unit are made through a removable Molex connector located in the customer access compartment. The 6 or 10 pin Molex connector will accommodate any solid or stranded wire from 26 gauge to 12 gauge. Gauge to ONT must be at least 24. **Strip 1/4” of insulation**

from the wires prior to connecting to the Molex connector. Bond the buried service wire to the ground stud located in the wire chamber. **A #14 copper insulated grounding conductor must be connected from the SureReach Ground External connection on the Molex connector to the structure grounding electrode system per NEC Article 830.100.**

A label on the inside of the cover of SureReach provides basic wiring information. The +- 190 VDC inputs are the first two on the left-hand side of the Molex connector, labeled T1 and R1. Connections to an ONT or other device are made via the +DC output and -DC return pins 5 and 6. Output power (12 VDC or 48 VDC depending on SureReach model) is provided on pins 5 & 6 of the Molex connector. Primary (local) 12VDC power input is connected via pins 7 and 8. Wiring labels for each model is shown below. Refer to the ONT manufacturer's documentation for ONT wiring details



Powering the SureReach Unit - When all the input and output connections are complete, apply power at the central office to the outside cable plant cable pair(s) that will power the *SureReach* field unit. See manufacturer's instructions for the installation and operation of the central office power unit.

A small green LED located on the SureReach circuit board indicates the presence of line power provided output voltage. In bright light conditions it may be necessary to test for the presence of power by using a multi-meter, connecting to pins 5 and 6 of the Molex connector. In the event the LED is not lit and expected voltage is not present on pins 5 and 6, test for the presence of more than 250V DC on the input line on pins 1 and 2. If less than 250V DC is measured refer to the full Installation Manual.

For the switched version, complete the line power-up steps above and then plug in the local 12VDC power supply. The green LED will extinguish when local power is applied and a blue LED will light. Make sure the powered device is operational. Pins 9 and 10 allow the Telco to send a power status signal via an ONT. A normally closed (low resistance) circuit indicates local power is present and a high resistance indicates loss of local power. Connect the signal leads to the ONT following the manufacturer's directions. Install and secure the SureReach cover.

Thank you for choosing Generonix.

Notice: The information, specifications, and procedures in this manual are subject to change without notice. Generonix assumes no responsibility for any errors that may appear in this document. No part of this document may be photocopied or reproduced in any way without the prior written permission of Generonix Inc.

© 2009 Generonix Inc. (Rochester, NY) All International Rights Reserved